

Double Glazed Signature Series Dome

Frame Model 800MD
Section 08620

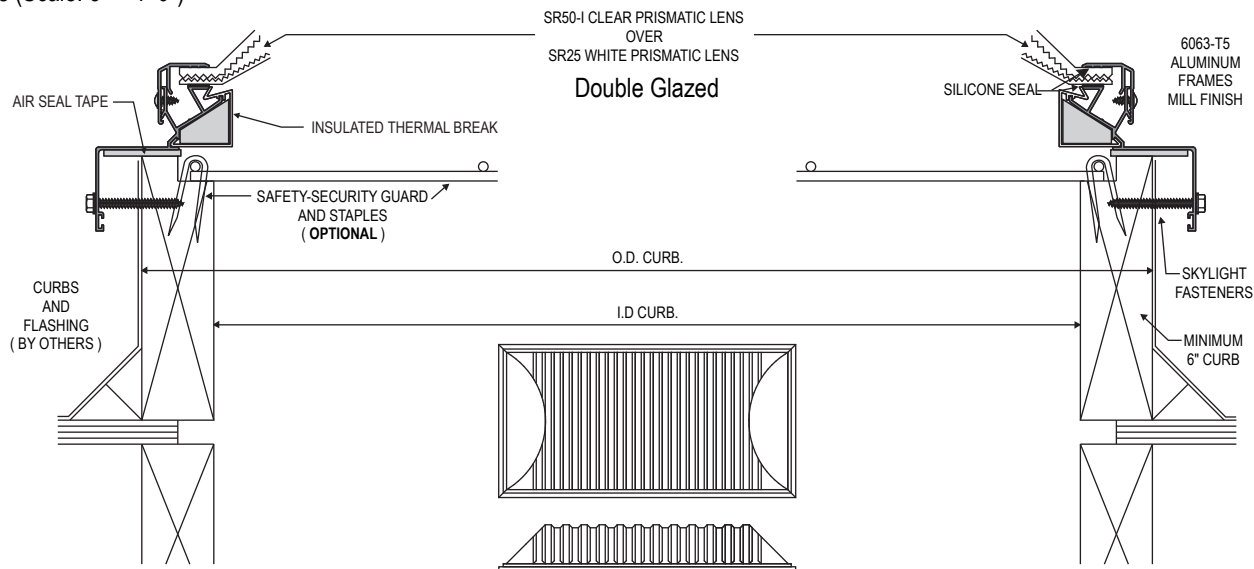
Standard Frame Finish
Mill (Aluminum)



Fixed Industrial Skylights

Signature Dome

Details (Scale: 3" = 1'-0")



Standard Sizes (Call-Out Dimensions)

Call-Out Size	Signature	Outside Curb (+ 1 1/2)	Inside Curb (- 1 1/2)
2020	■	25 1/2" x 25 1/2"	22 1/2" x 22 1/2"
2040	■	25 1/2" x 49 1/2"	22 1/2" x 46 1/2"
2080	■	25 1/2" x 97 1/2"	22 1/2" x 94 1/2"
30100	■	37 1/2" x 121 1/2"	34 1/2" x 118 1/2"
4040	■	49 1/2" x 49 1/2"	46 1/2" x 46 1/2"
4060	■	49 1/2" x 73 1/2"	46 1/2" x 70 1/2"
4080	■	51" x 99"	48" x 96"
40100	■	49 1/2" x 121 1/2"	46 1/2" x 118 1/2"
5060	■	61 1/2" x 73 1/2"	58 1/2" x 70 1/2"
5080	■	61 1/2" x 97 1/2"	58 1/2" x 94 1/2"
50100	■	61 1/2" x 121 1/2"	58 1/2" x 118 1/2"

U Value = .68, Solar Heat Gain Coefficient = .51, Visible Light Transmission = .65 (Acrylic Glazing Only)

Specifications

- Skylights shall be Sunoptics model 800MD (curb mounted) as manufactured by Sunoptics Skylights, 6201 27th Street, Sacramento Ca. 95822 916/395-4700
- Skylights shall be glazed ready for installation.
- Skylight frames shall be fabricated from 6063 T5 aluminum, finish as specified by architect. Frames shall have an insulated, thermally broken frame with no exposed metal to the inside of building. Corners shall be mitered and completely welded. The glazing shall be separated from the skylight frame with a Silicone seal.
- Skylights shall be Double glazed using SR50-I (Impact Modified) Clear Prismatic lens over SR25 White Prismatic lens , CC2 acrylic, glazed in a Signature Series Dome configuration.
- Skylight fasteners shall be #12 x 2" SMS spaced 12" OC.



SUNOPTICS
PRISMATIC
SKYLIGHTS
THE NATURAL LIGHT FIXTURE

6201 27th Street 916/395-4700
Sacramento, CA 800/289-4700
95822 FAX/395-9204
www.sunoptics.com